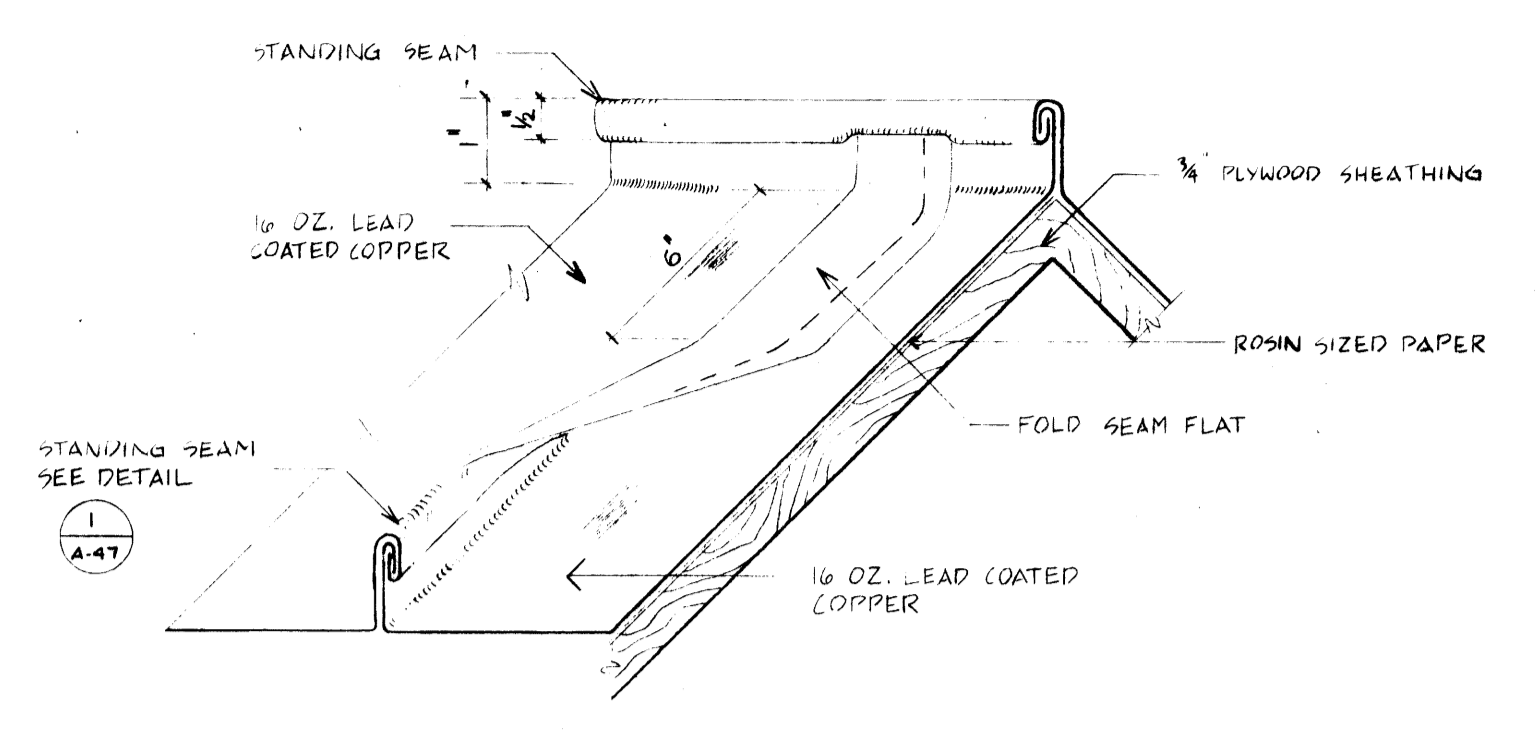
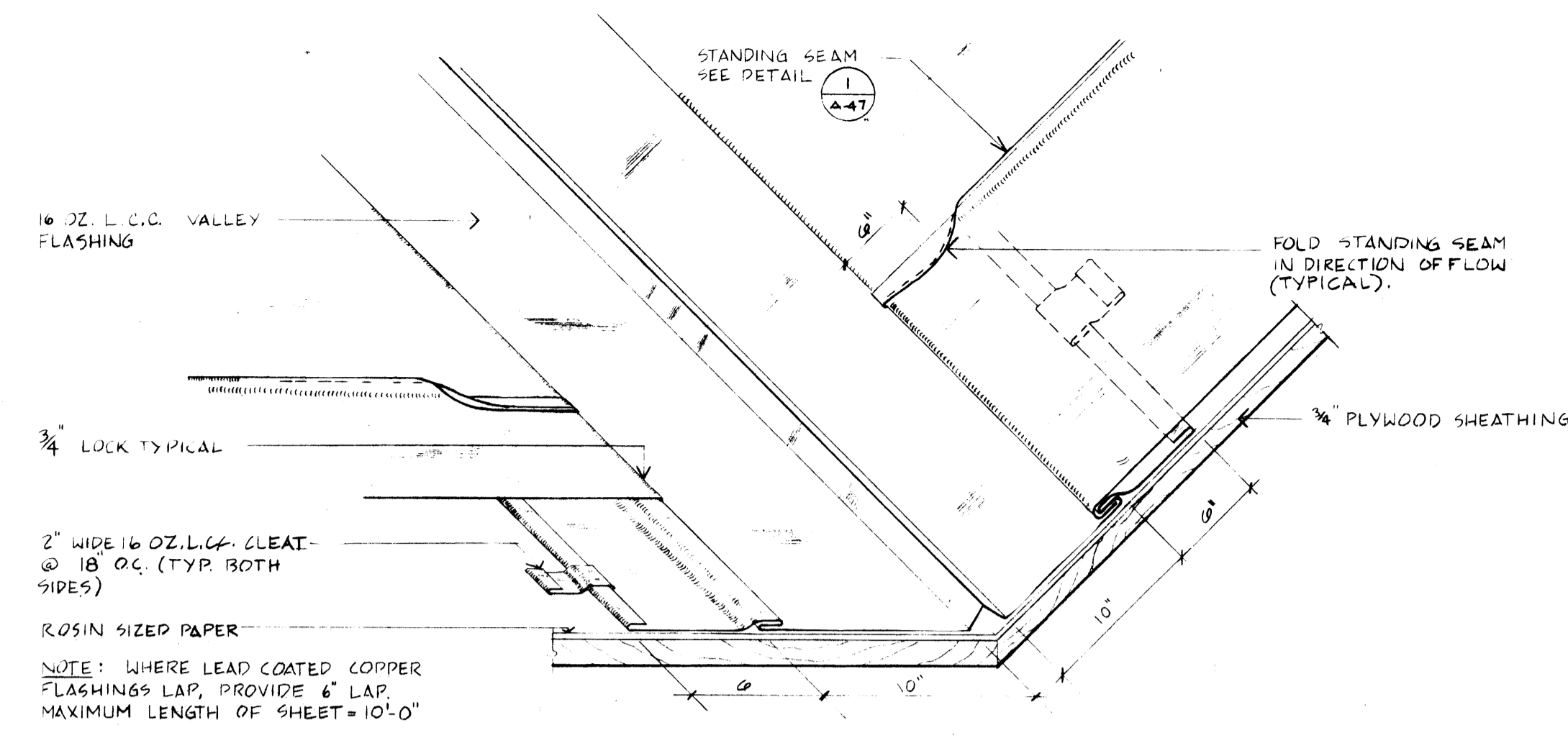


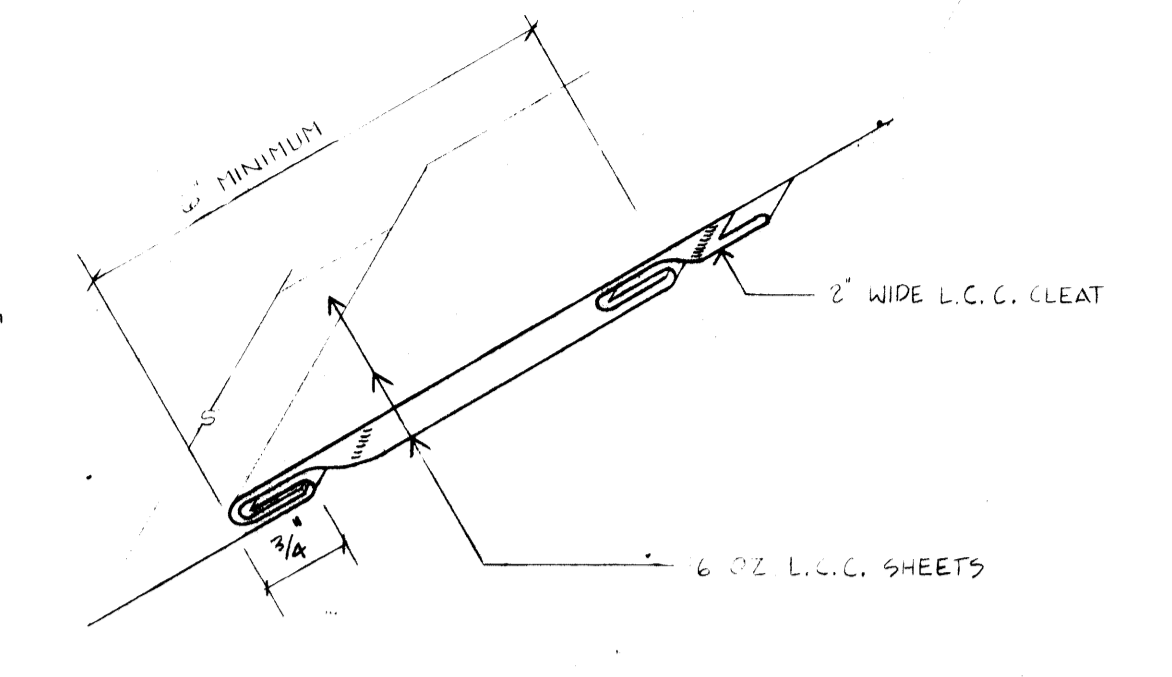
1 TYPICAL BAY - STANDING SEAM DETAIL
NOT TO SCALE



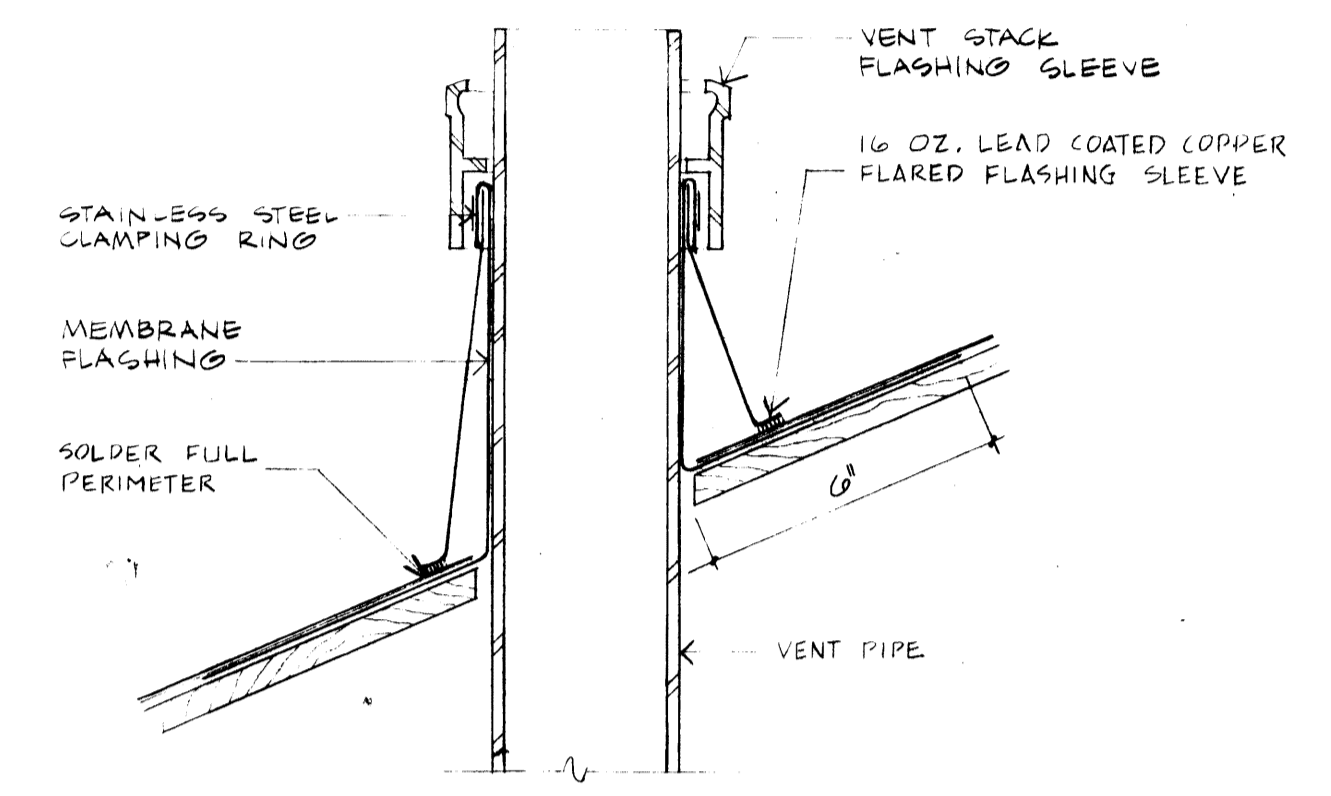
2 TYPICAL RIDGE DETAIL
NOT TO SCALE



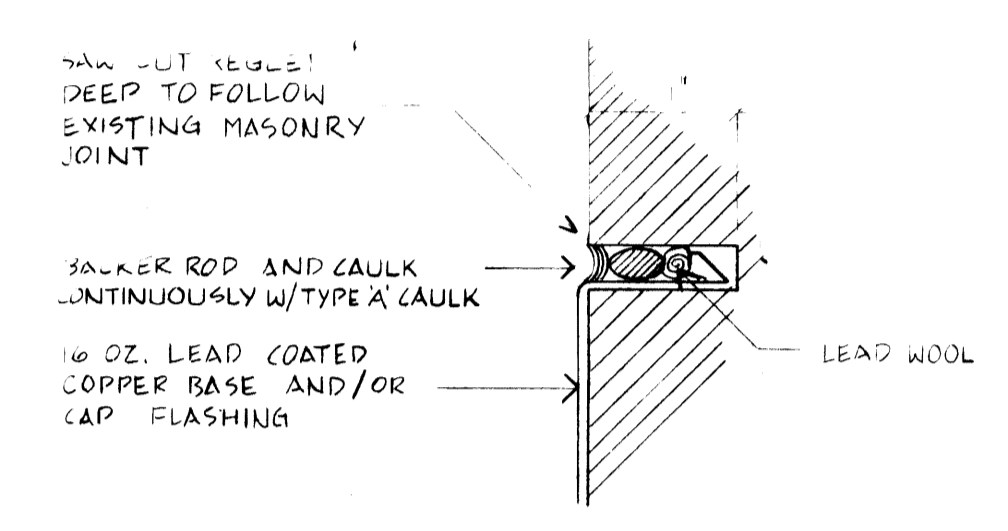
3 VALLEY FLASHING
NOT TO SCALE



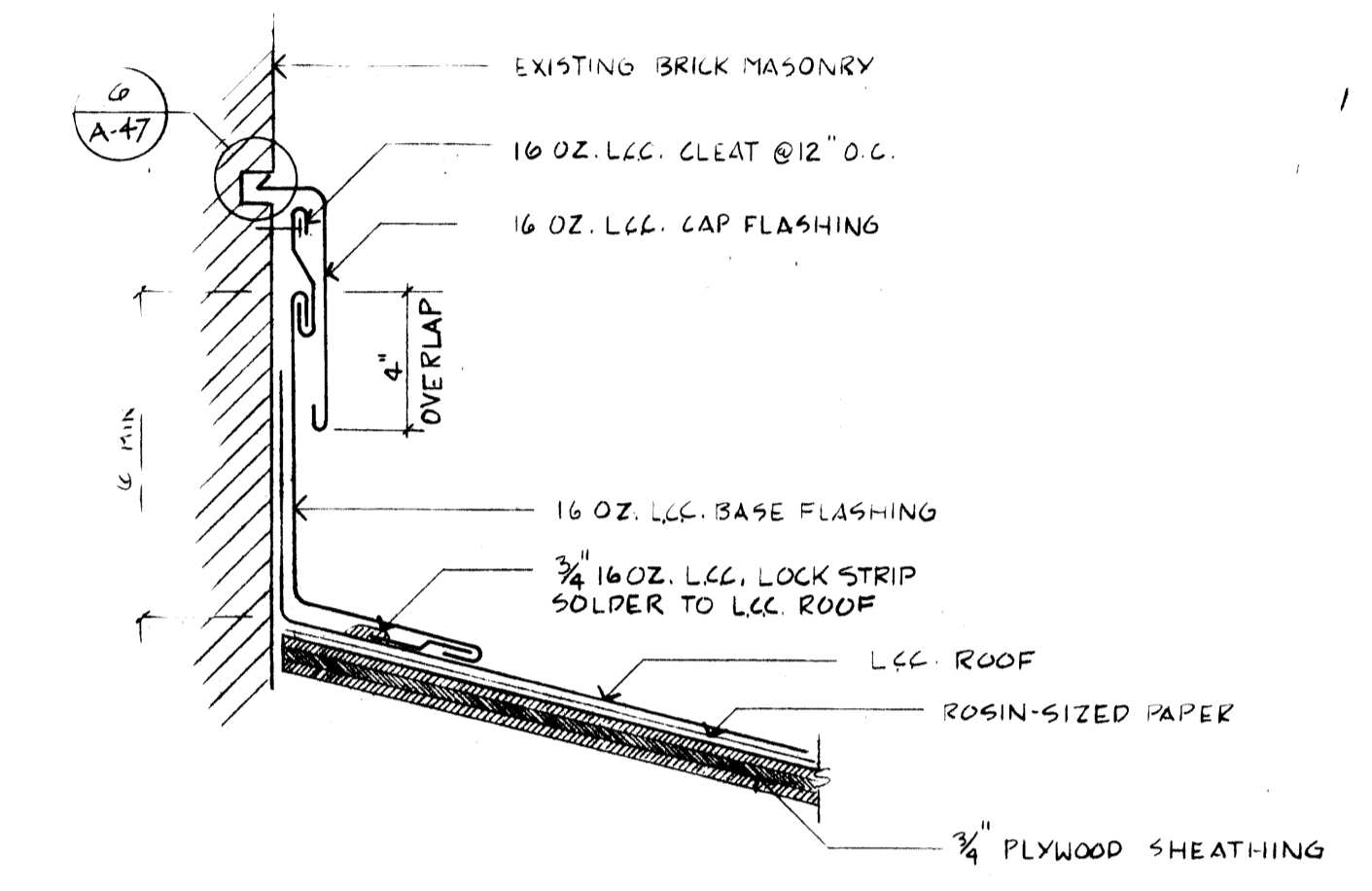
4 VALLEY LAP DETAIL
NOT TO SCALE



5 VENT PIPE FLASHING
NOT TO SCALE

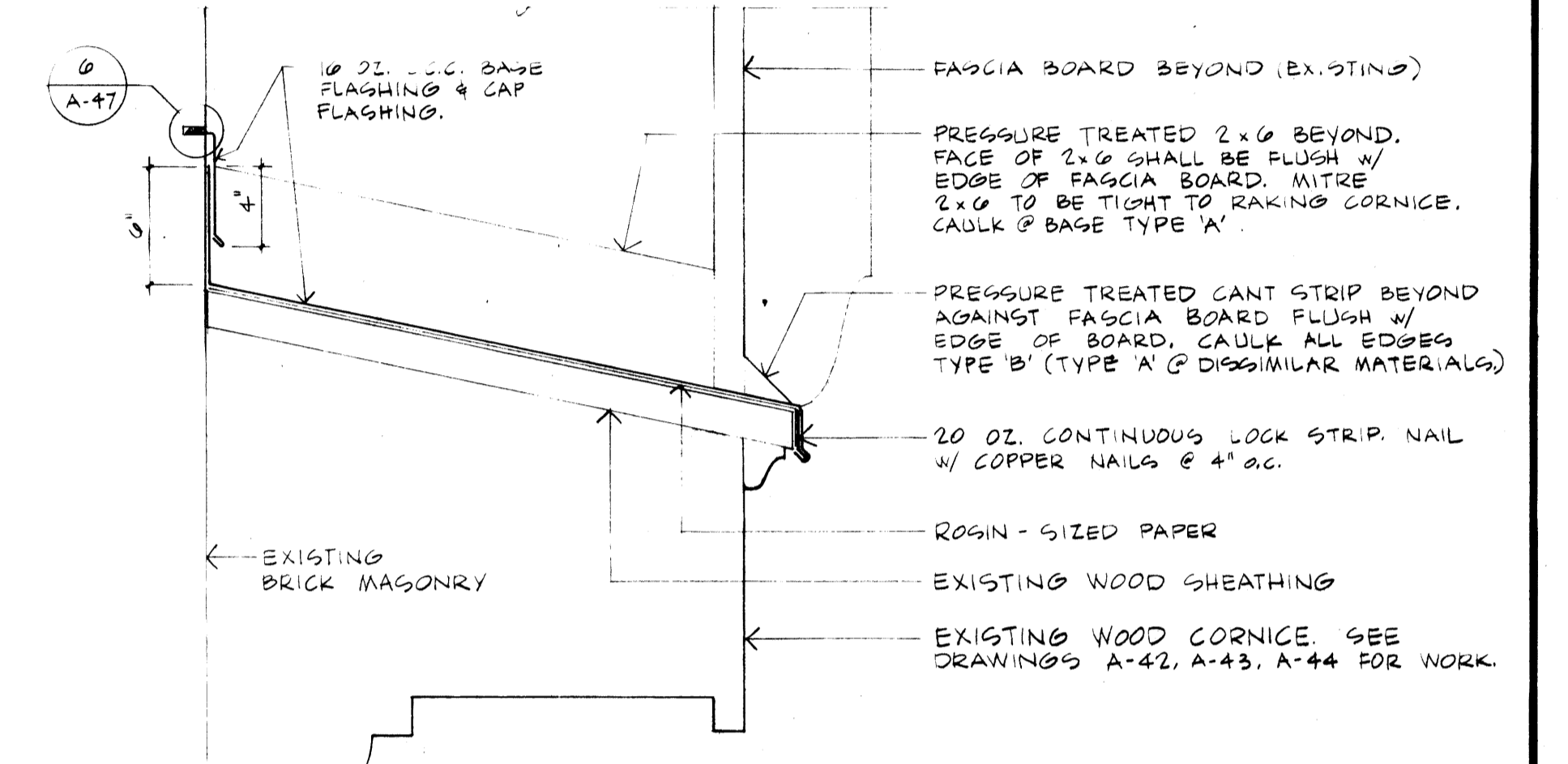


6 REGLET DETAIL
NOT TO SCALE



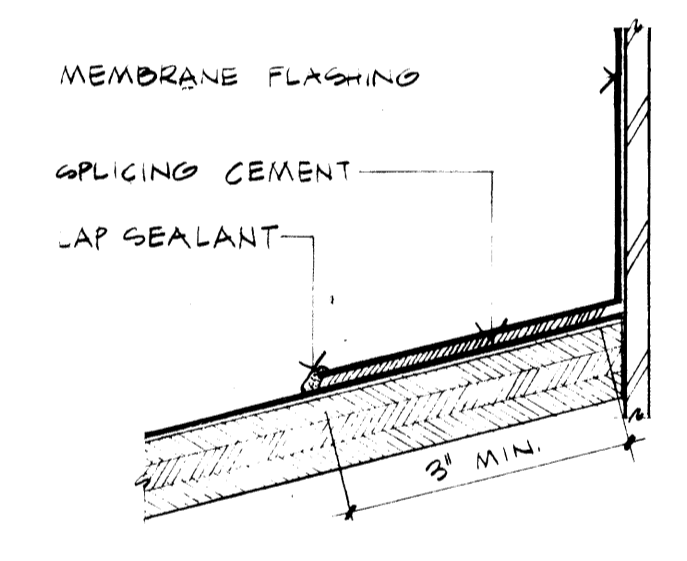
7 FLASHING DETAIL AT CHIMNEY
3" x 1'-0" CHIMNEYS (E2)

NOTE: DETAIL SIMILAR AT CRICKET FLASH CRICKET DIRECTLY INTO CLEATS ON VERTICAL SURFACE.

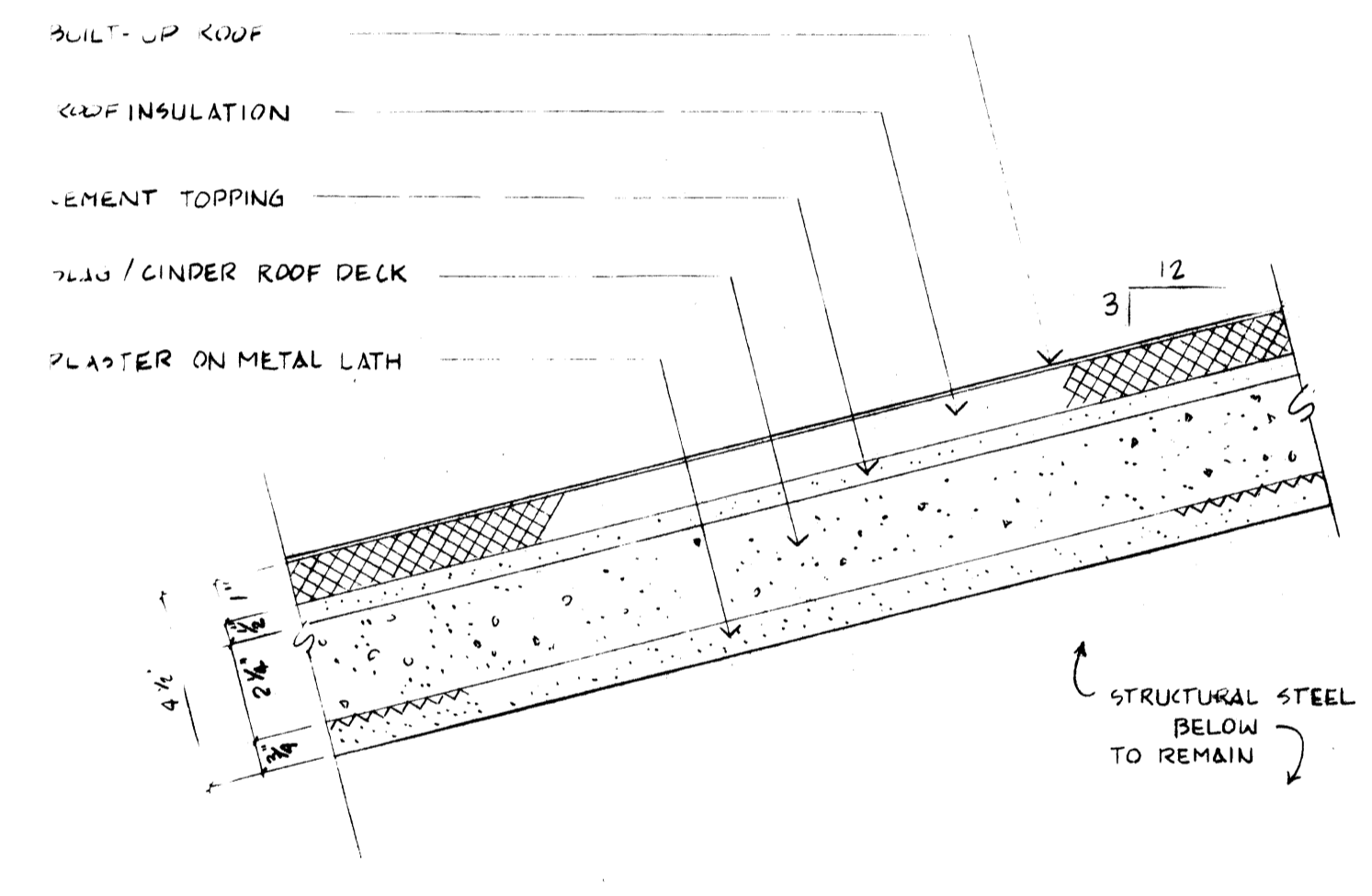


8 PEDIMENT FLASHING
1/2" x 1'-0"

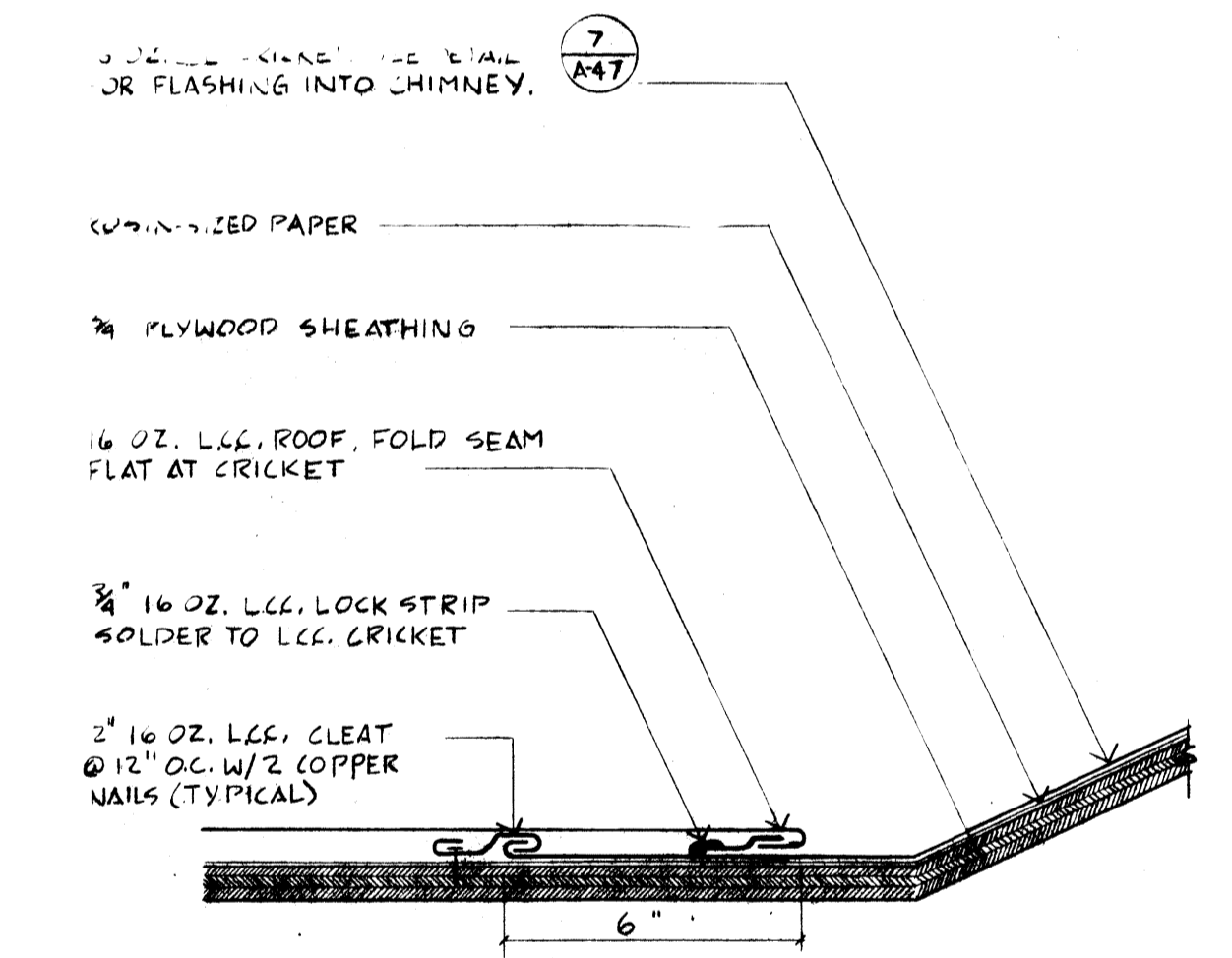
NOTE: REMOVE ALL EXISTING FLASHINGS FROM HORIZONTAL CORNICE OF PEDIMENT. FIELD VERIFY EXISTING CONDITIONS W/ ARCHITECT PRIOR TO FLASHING CORNICE.



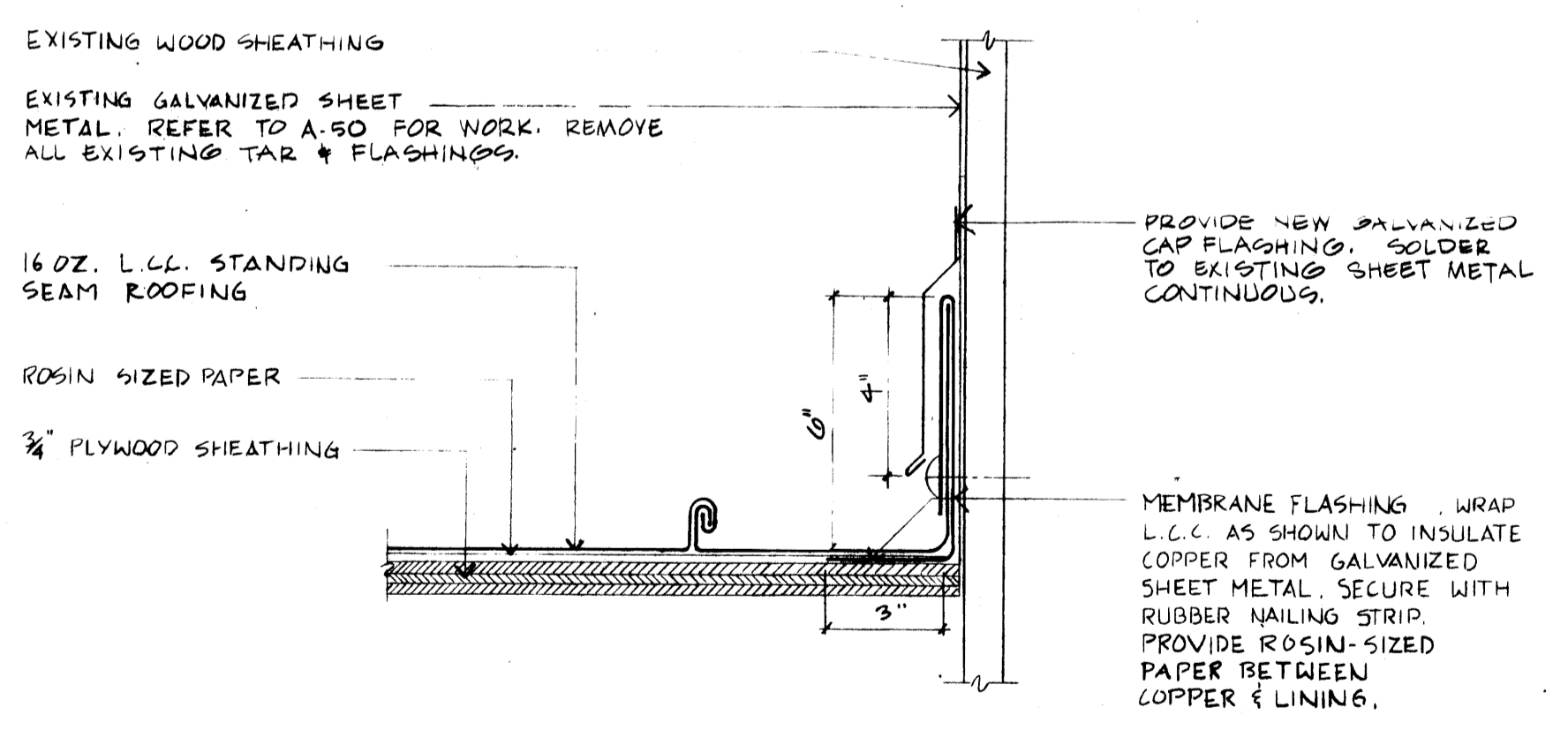
9 MEMBRANE SPLICE
3" x 1'-0"



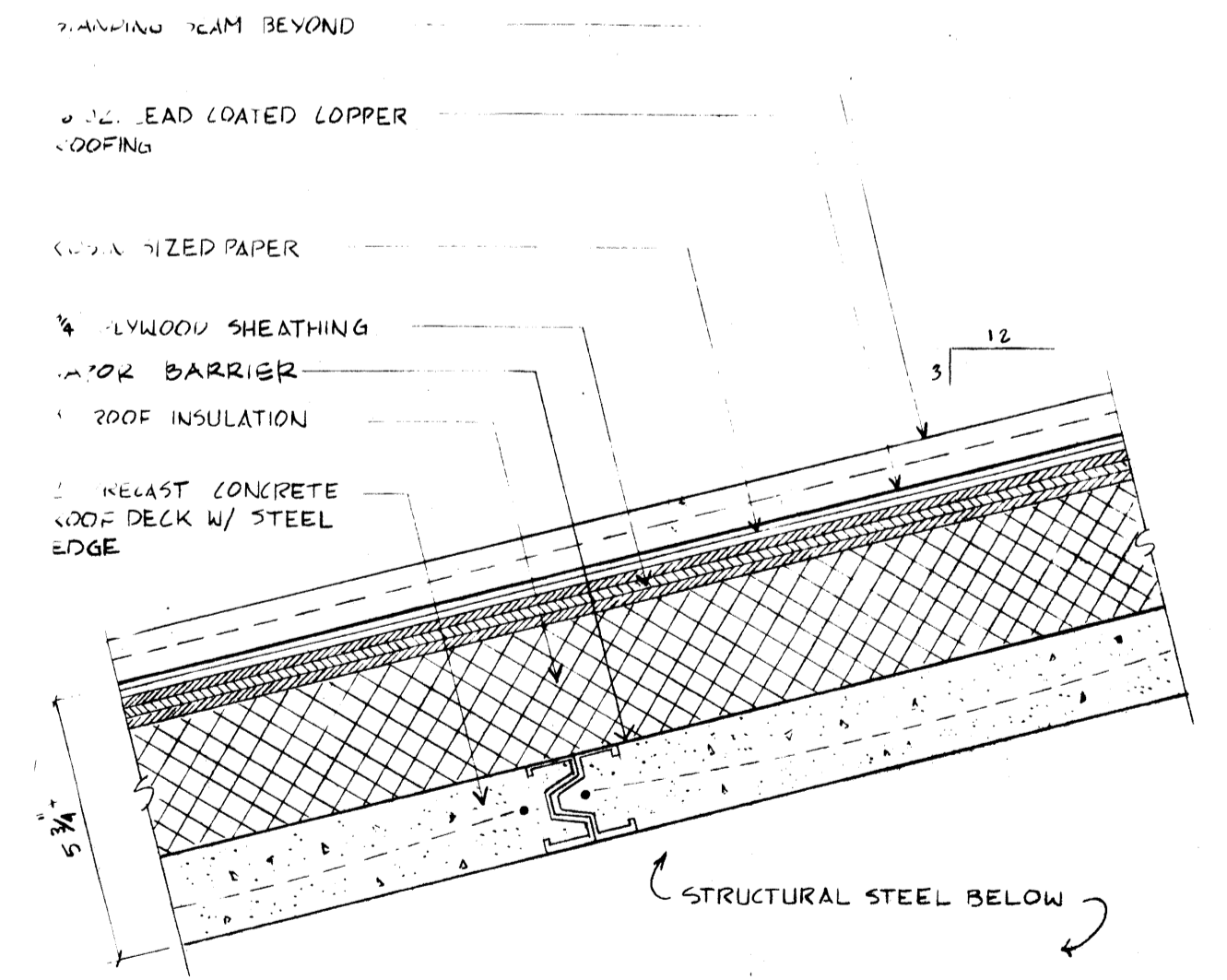
10 EXISTING ROOF TO BE REMOVED
3" x 1'-0"



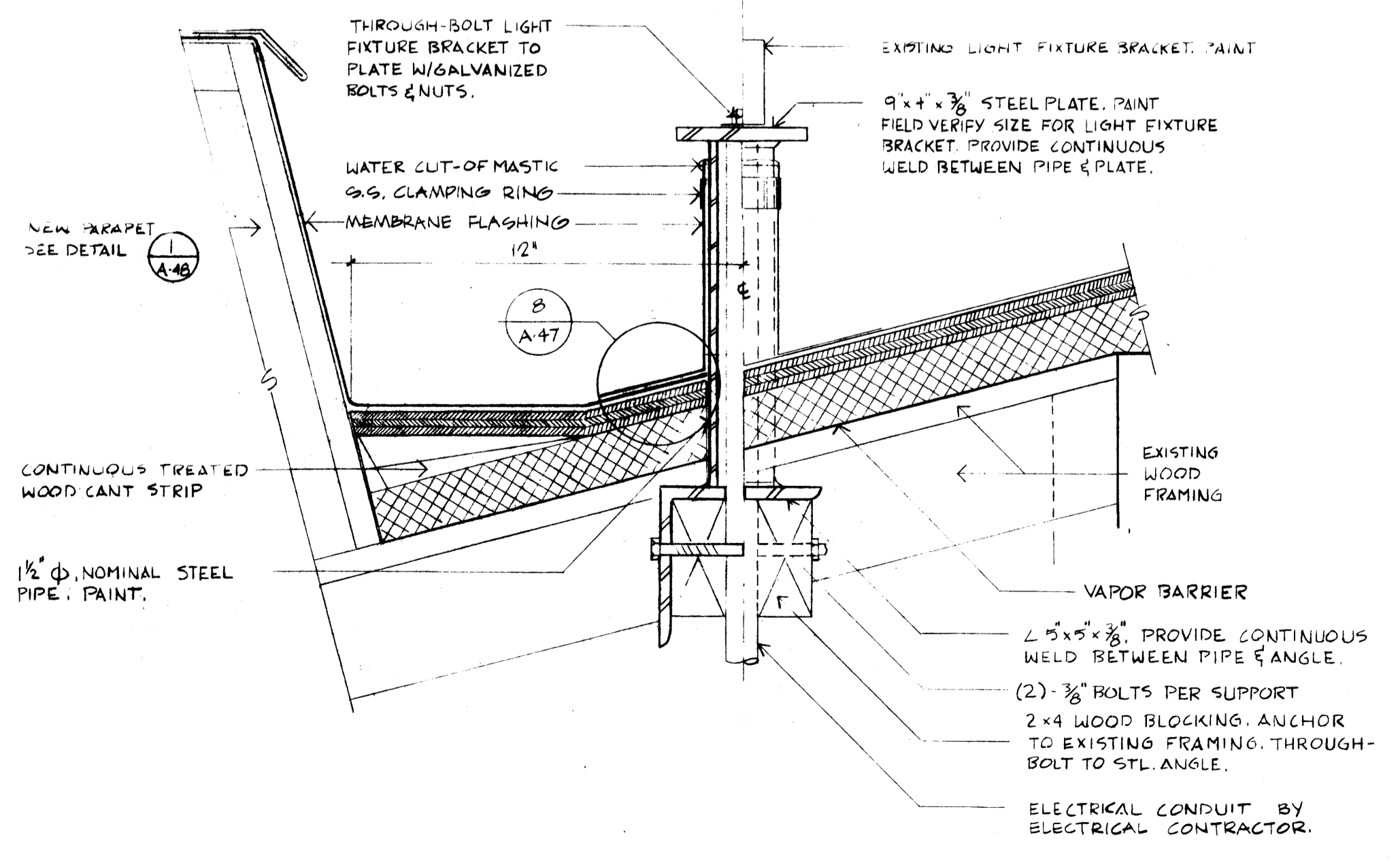
11 CRICKET FLASHING
3" x 1'-0" CHIMNEYS (E2)



12 DOME BASE FLASHING
3" x 1'-0"



13 TYPICAL ROOF CONSTRUCTION
3" x 1'-0"



14 LIGHT SUPPORT DETAIL
3" x 1'-0"